



A COMPANY OF STPI GROUP

ED3 – 3 Pole Double Break

General Characteristics

No. of Poles:	3 Form Z (3PDT, DMDB)
Dimensions:	1.483" x 1.053" x 1.010" (37.7mm x 26.8mm x 25.7mm)
Weight:	0.26 lb. (118 grams)

Switching Characteristics

Operate Time @ +25°C	
-With AC Coil:	20 ms. Max
-All Others:	15 ms. Max
Release Time @ +25°C	
-With AC Coil	50 ms. Max
-All Others:	10 ms. Max
Bounce Time:	5 ms. Max
Mechanical Life:	400,000 Cycles

Environmental Characteristics

Temperature Range:	-70°C to +125°C
Vibration (Sinusoidal):	20g 10-3,000 Hz
Shock (any axis)	50g, 6-9 ms
Seal:	Hermetic (1x10 ⁻⁸ atm cm ³ /s)

Electrical Characteristics

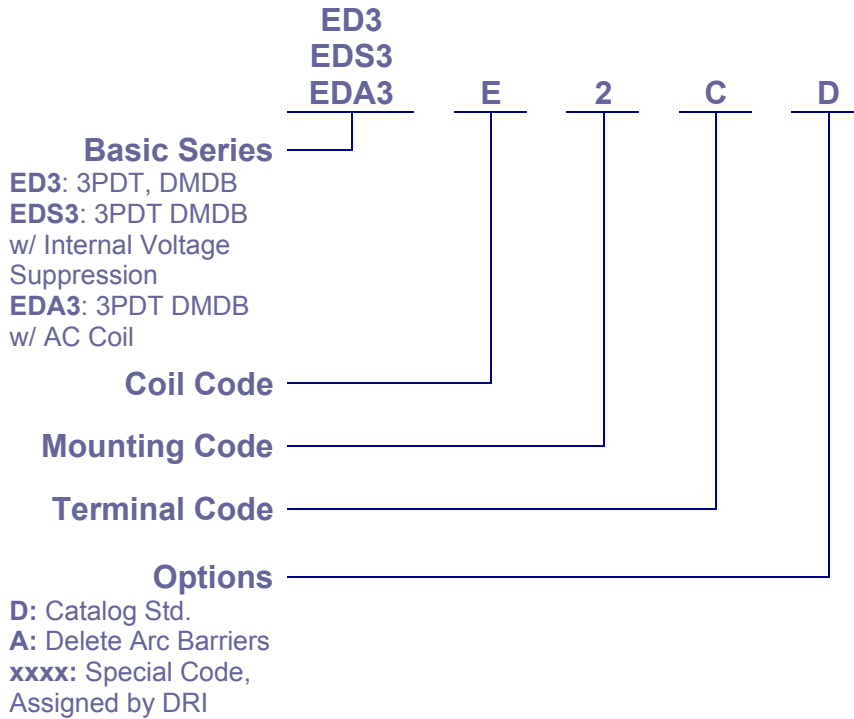
Contact Voltage Drop (at rated resistive load)		
-Initial:	150 mV Max.	
-After Guaranteed Life:	175 mV Max.	
Dielectric Strength @ Sea Level	Coil to Case	All Other Points
-Initial @ 60 Hz:	1,250 Vrms	1,250 Vrms
-After Life Test @ 60 Hz:	1,250 Vrms	1,250 Vrms
Insulation Resistance		
-Initial:	1,000 MΩ Min, @ 500 Vdc	
-After Life Tests:	500 MΩ Min, @ 500 Vdc	

Contact Rating (Amps)

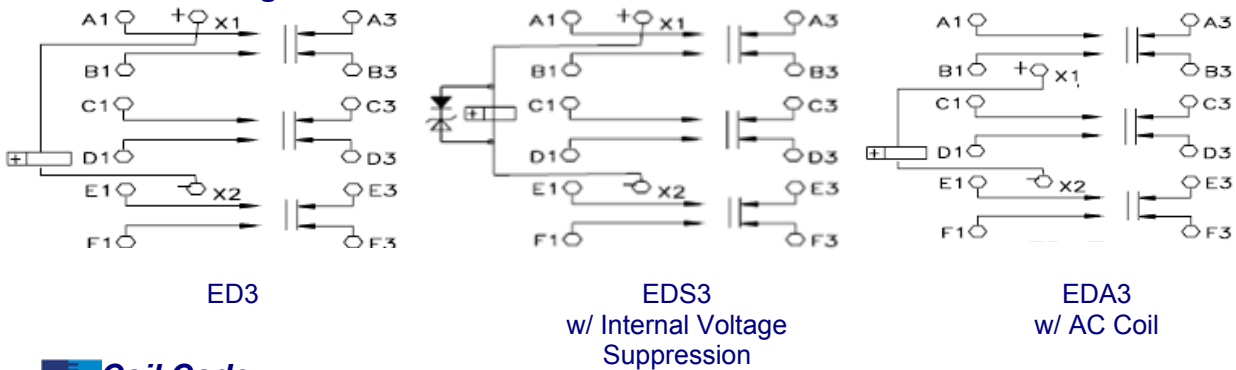
Type of Load (High Level)	Cycles x 10 ³	115 Vac				
		28 Vdc	400 Hz 1 Phase	50/60 Hz 1 Phase	400 Hz 3 Phase	50/60 Hz 3 Phase
Resistive	100	15	15	9	15	9
Inductive	20	15	15	N/A	15	N/A
Inductive	10	N/A	N/A	9	N/A	9
Motor	100	10	10	5	10	5
Lamp	100	5	5	3	N/A	N/A

Note: 115 Vac 50/60 Hz life reduced to 10,000 Cycles for all load types

Part Numbering



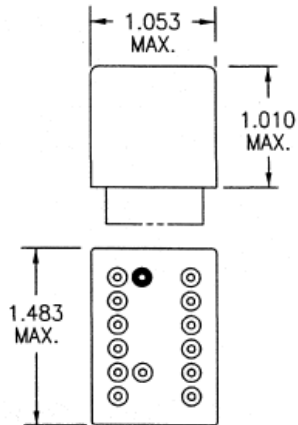
Circuit Diagram



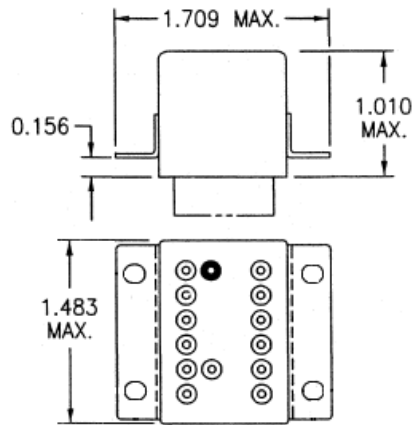
Coil Code

COIL CODE	Vdc						Vac	
	A	B	D	E	G	J	L	N
Nominal coil voltage:	6	12	26.5	28	48	110	115 – 400 Hz	115 – 50/400 Hz
Maximum pick-up voltage @ +25°C:	3.2	6.5	13.5	14	24	55	75	75
Maximum pick-up voltage @ +125°C:	3.9	7.7	18	18.7	31	70	95	95
Minimum drop-out voltage @ -70°C:	0.25	0.5	1.2	1.5	2	5	5	5
Coil resistance (Ω ± 10% @ +25° C):	10	40	210	210	620	3200	-	-
Max. Coil Transient Suppression (EDTS3 Only) Vdc:	-42	-42	-42	-42	-100	-227	N/A	N/A

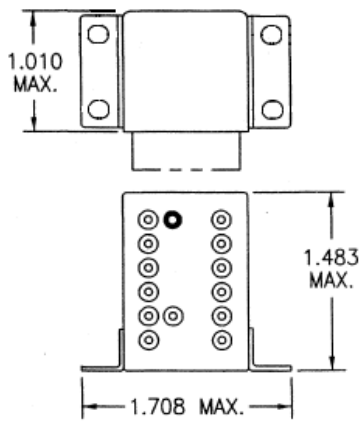
Mounting Code



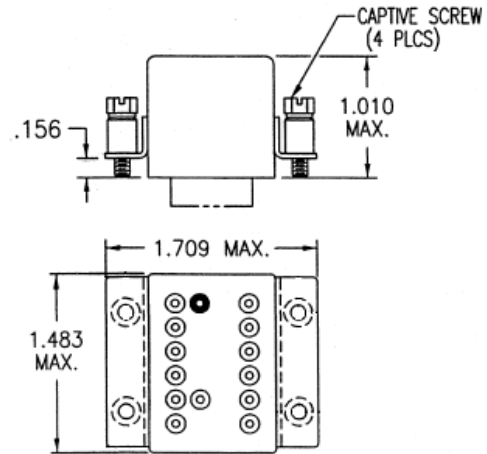
Mount 1



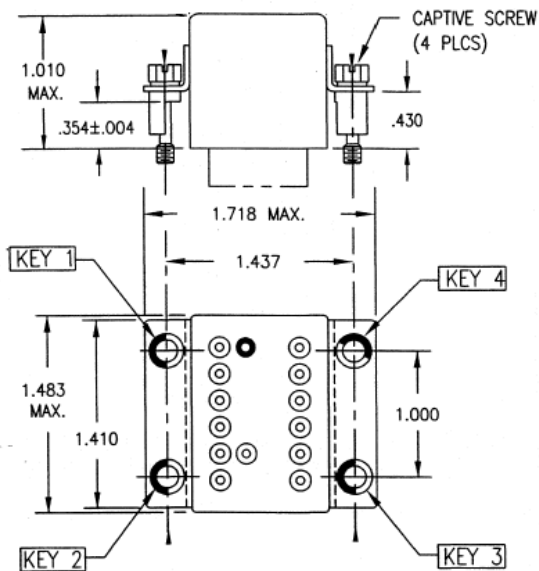
Mount 2









Mount 3



Mount 8: M3
Mount C: #4-40 UNC

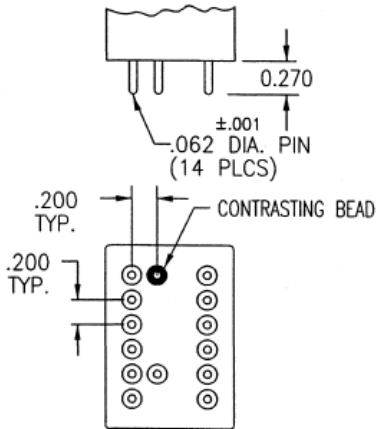


KEYING POSITIONS

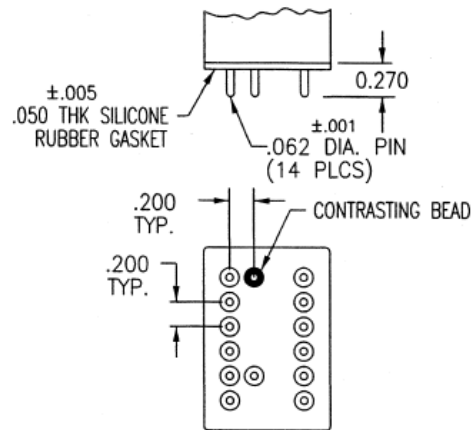
U	V	W	X	Y	Z
					
0°	60°	120°	180°	240°	300°

Mount N: M3
Mount P: #4-40 UNC

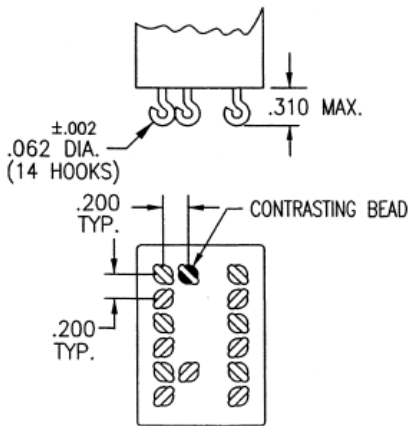
Terminal Code



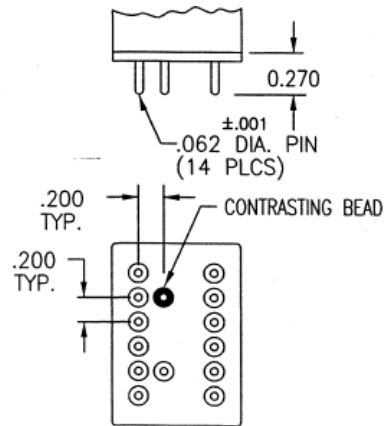
Terminal A: Tin Plated
Terminal B: Solder Dipped



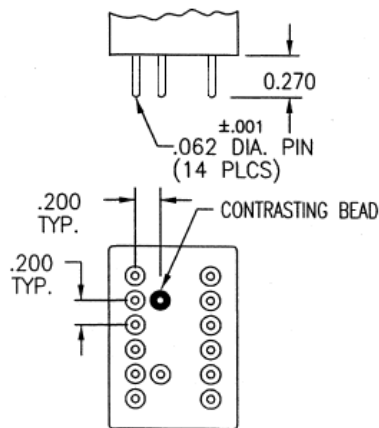
Terminal C: Gold Plated (DC)



Terminal H: Tin Plated
Terminal J: Solder Dipped



Terminal K: Gold Plated (AC)



Terminal L: Tin Plated (AC)