



A COMPANY OF STPI GROUP

# EDL2 – 2 Pole

## Double Break, Magnetic Latching

### General Characteristics

No. of Poles:	2 Form Z (2PDT, DMDB)
Dimensions:	1.025" x 1.025" x 1.010" (26.0 x 26.0 x 25.7)mm
Weight:	0.17 lb. (77 grams)

### Switching Characteristics

Operate Time (Latch and Reset) @ +25°C:	15 ms. Max
Bounce Time:	5 ms. Max
Mechanical Life:	400,000 Cycles

### Environmental Characteristics

Temperature Range:	-70°C to +125°C
Vibration (Sinusoidal)	
-Mounting Code 3:	20g 57-3,000 Hz
-All Others:	30g 10-3,000 Hz
Shock (any axis)	
Mounting Code 3:	100g, 6 ms
-All Others:	200g, 6 ms
Seal:	Hermetic (1x10 <sup>-8</sup> atm cm <sup>3</sup> /s)

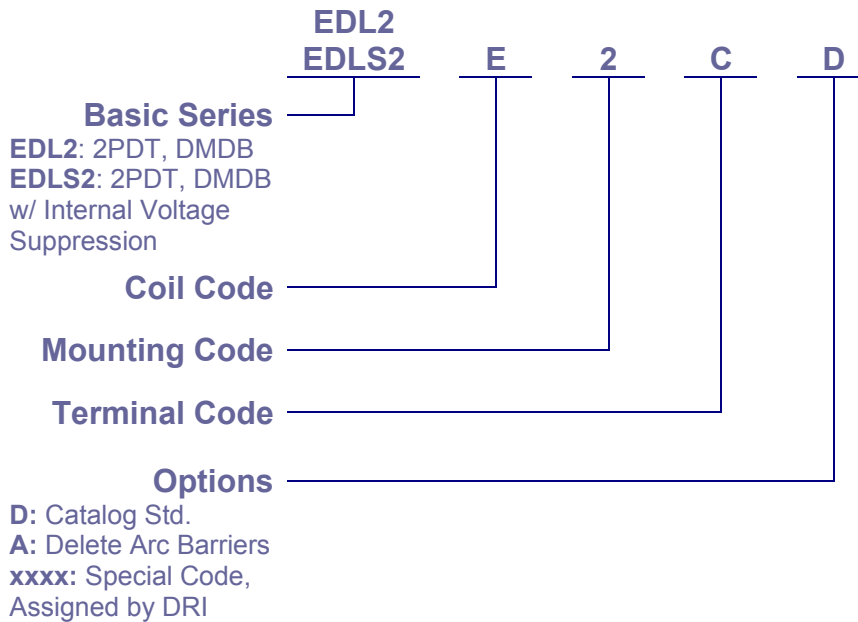
### Electrical Characteristics

Contact Voltage Drop (at rated resistive load)		
-Initial:	150 mV Max.	
-After Guaranteed Life:	175 mV Max.	
Dielectric Strength @ Sea Level	<b>Coil to Case</b>	<b>All Other Points</b>
-Initial @ 60 Hz:	1,250 Vrms	1,250 Vrms
-After Life Test @ 60 Hz:	1,250 Vrms	1,250 Vrms
Insulation Resistance		
-Initial:	1,000 MΩ Min, @ 500 Vdc	
-After Life Tests:	500 MΩ Min, @ 500 Vdc	

### Contact Rating (Amps)

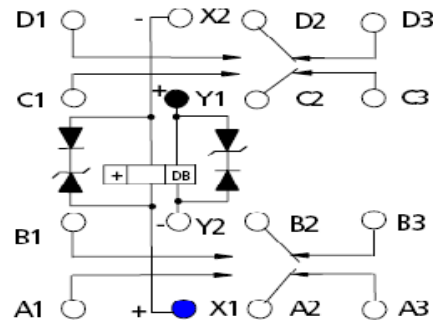
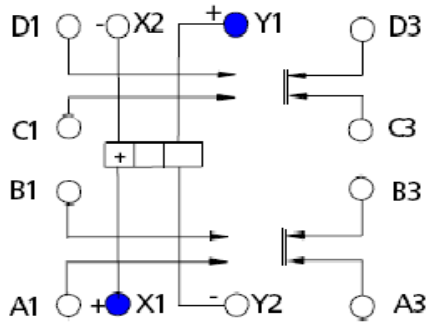
Type of Load (High Level)	Cycles x 10 <sup>3</sup>	28 Vdc	115 Vac 400 Hz 1 Phase	115 Vac 400 Hz 1 Phase	115 Vac 400 Hz 1 Phase	115 Vac 400 Hz 1 Phase
Resistive	100	15	15	9	15	9
Inductive	20	15	15	N/A	15	N/A
Inductive	10	N/A	N/A	9	N/A	9
Motor	100	10	10	5	10	5
Lamp	100	5	5	3	N/A	N/A

## Part Numbering



## Circuit Diagram

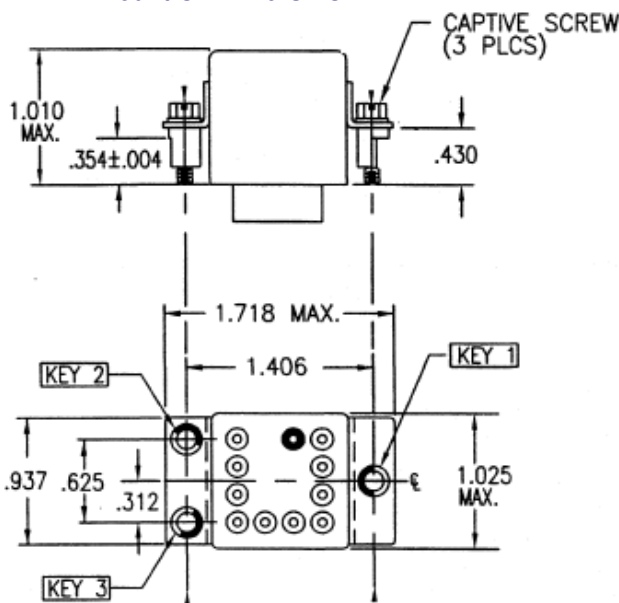
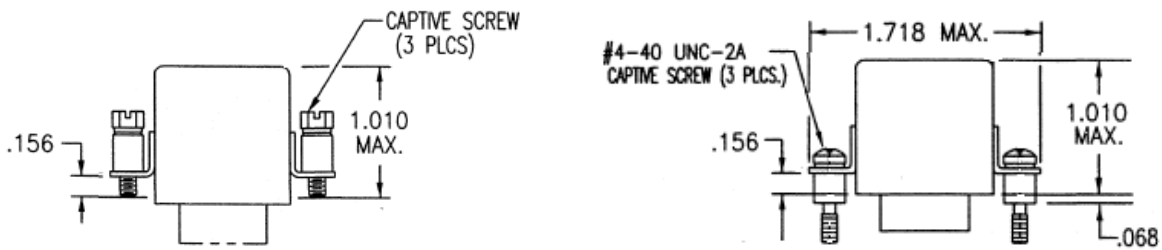
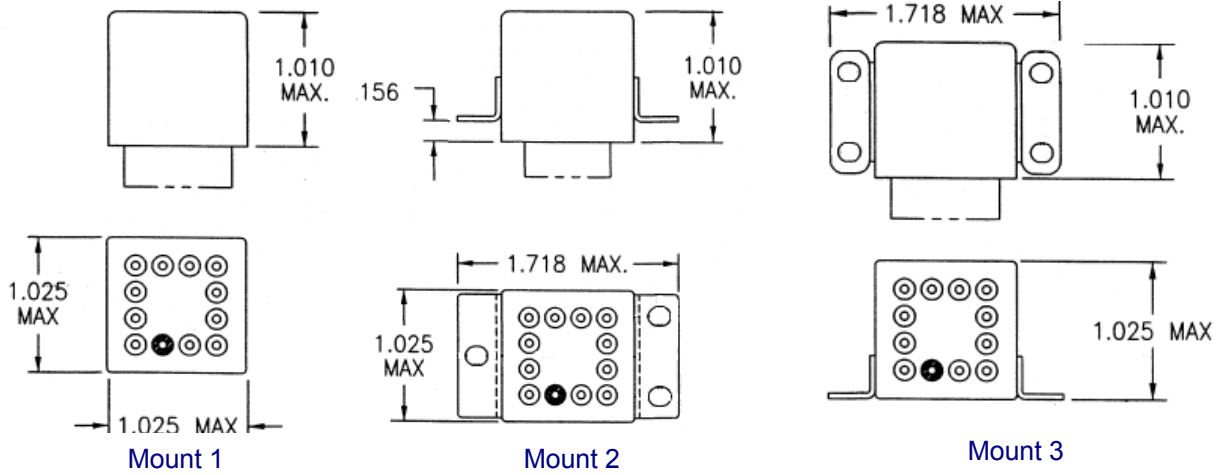
\*Y Coil Last Energized



## Coil Code

COIL CODE	Vdc					
	A	B	D	E	G	J
Nominal coil voltage:	6	12	26.5	28	48	110
Maximum Latch & Reset voltage @ +25°C:	3	6	13.5	14	24	55
Maximum Latch & Reset voltage @ +125°C:	3.9	7.7	18	18	31	70
Coil resistance ( $\Omega \pm 10\%$ @ +25°C):	18	70	300	300	955	5000
Max. Coil Transient Suppression Vdc: (EDLS2 Only)	-42	-42	-42	-42	-100	-227

**Mounting Code**

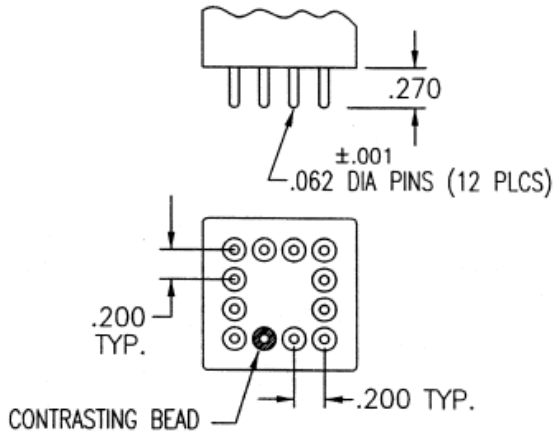


**KEYING POSITIONS**

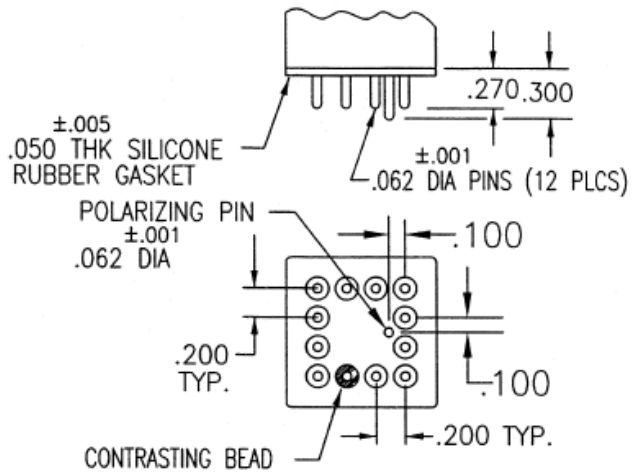
U	V	W	X	Y	Z
0°	60°	120°	180°	240°	300°

**Mount A: M3**  
**Mount B: #4-40 UNC**

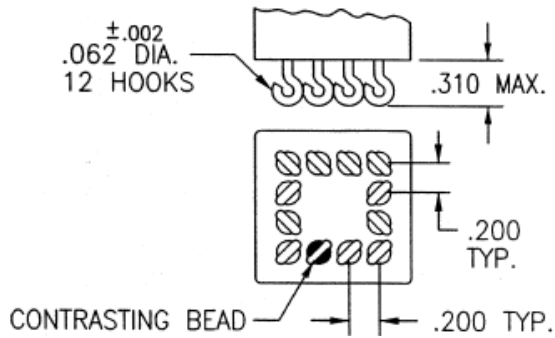
**Terminal Code**



Terminal A: Tin Plated  
Terminal B: Solder Dipped



Terminal M: Gold Plated



Terminal H: Tin Plated  
Terminal J: Solder Dipped