



A COMPANY OF STPI GROUP

# One Inch Series Military Specified

Meets MIL-PRF-5757/1

## General Characteristics

No. of Poles:	6 Form C (6PDT)
Dimensions:	
-021, -027, & -103	1.20" Dia. x 1.38" (30.5 Dia. x 35.1 mm)
-028	1.20" Dia. x 1.10" (30.5 Dia. x 27.9 mm)
-026	1.06" Dia. x 1.34" (26.9 Dia. x 34.0 mm)
Weight:	0.27 lbs Max (122.5 grams)

## Switching Characteristics

Operate Time @ +25°C	15 ms. Max
Release Time @ +25°C	15 ms. Max
Bounce Time:	
-103	1 ms. Max
-027 & -028 (High Level)	2 ms. Max
-021, -026, -027, & -028 (Low Level)	5 ms. Max

## Environmental Characteristics

Temperature Range:	-65°C to +125°C
Vibration (Sinusoidal)	20g 10-2,000 Hz
Shock (any axis)	100g
Seal:	Hermetic (1x10 <sup>-8</sup> atm cm <sup>3</sup> /s)

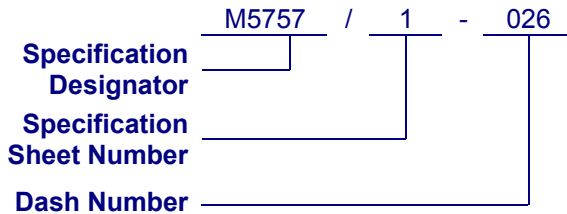
## Electrical Characteristics

Contact Resistance (at rated resistive load)			
-Initial:	0.05 Ω Max		
-After Guaranteed Life (High Level):	0.1 Ω Max		
-After Guaranteed Life (Low Level):	0.15 Ω Max		
Dielectric Strength @ 60 Hz	Between Contacts	All Other Points	
	-Sea Level:	500 Vrms	1,000 Vrms
	-Altitude::	350 Vrms	350 Vrms
Insulation Resistance			
-Initial:	1,000 MΩ Min, @ 500 Vdc		

## Contact Rating (Amps)

Type of Load	Cycles x 10 <sup>3</sup>	High Level 28 Vdc	Low Level 30 mVdc
Resistive	100	2	30 μA

### Military Part Numbering

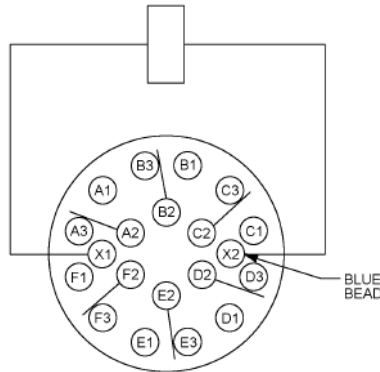


See Charts

### Dash Numbers

Dash Number	DRI Part Number
021	V26YV18SM
026	26YJGGK18SCV
027	V26YV18SN
028	V26ZY18SA
103	V26YV18

### Circuit Diagram

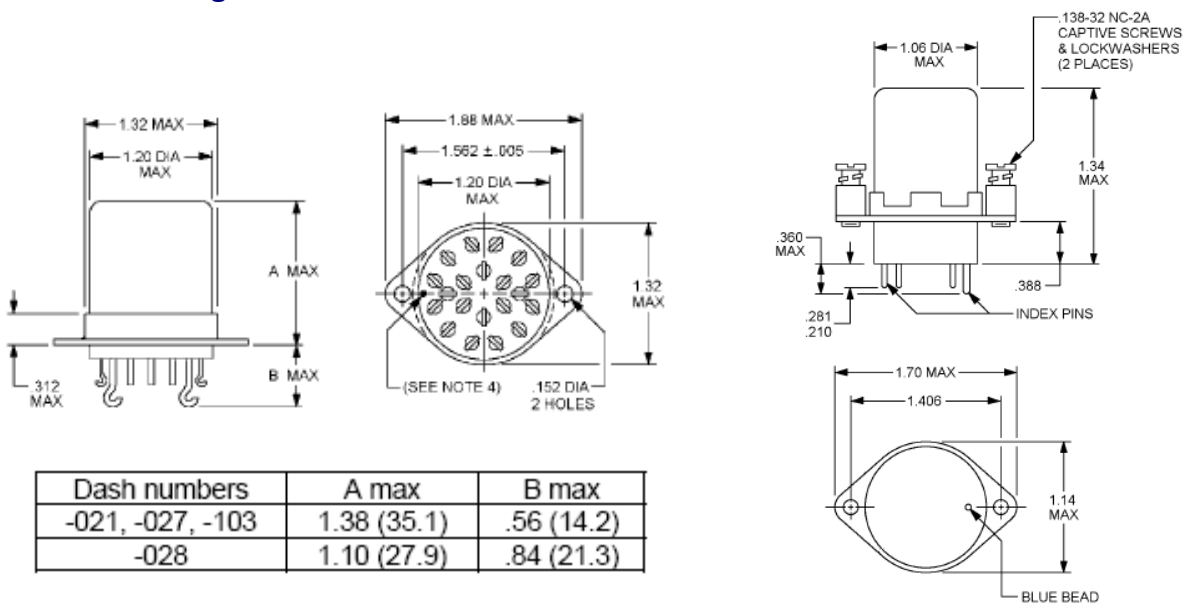


De Energized Position

### Coil Characteristics (Vdc)

Dash Number	Nominal Coil Voltage	Maximum Coil Voltage	Max Pickup Voltage at 125°C	Max Hold Voltage at 125°C	Min Dropout Voltage at -65°C	Coil Resistance (Ω, +/-10% at 25°C)
-026	26.5	32	18	14	1.5	260 Max.
All Others	26.5	32	18	14	1.5	200

### Mounting & Termination



Dash numbers	A max	B max
-021, -027, -103	1.38 (35.1)	.56 (14.2)
-028	1.10 (27.9)	.84 (21.3)

-021, -027, -028, -103

-026